

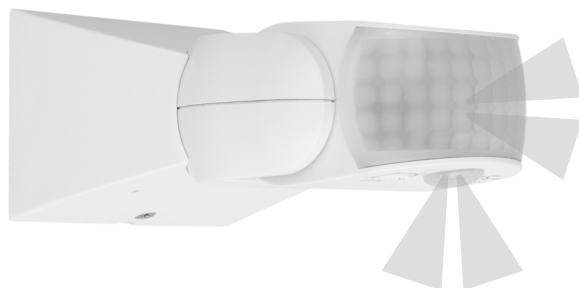
# KARTA KATALOGOWA

CATALOGUE CARD / DATENBLATT

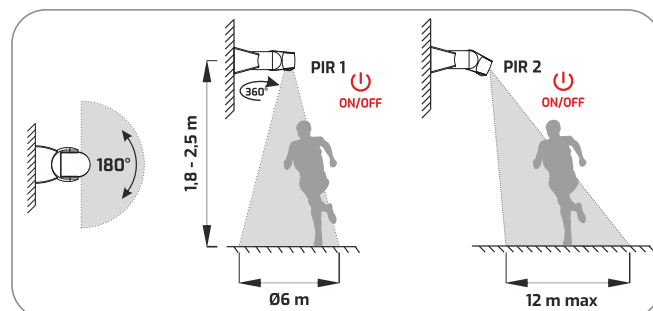
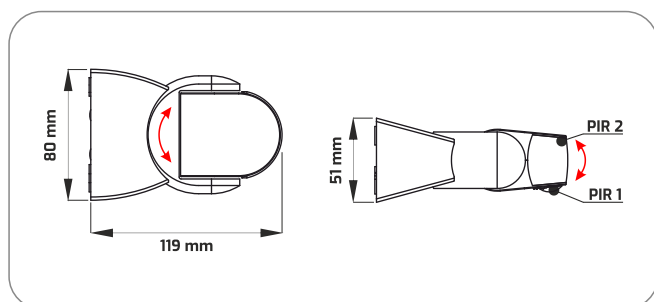
## Czujnik ruchu PIR MODEL 1 naścienny

PIR MODEL 1 wall-mounted motion detector

PIR MODELL 1 Wand-Bewegungsmelder

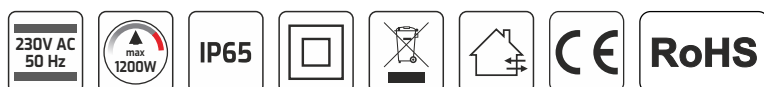


| Kolor<br>Color / Farbe           | Indeks<br>Index / Artikelnummer | Wymiary<br>Dimensions / Größe | Materiał<br>Material / Material                  |
|----------------------------------|---------------------------------|-------------------------------|--|
| <b>Biały</b><br>White / Weiß     | <b>WYL-CR-M1-BI-01</b>          | <b>80 mm x 119 mm x 51 mm</b> | <b>Tworzywo sztuczne</b><br>Plastic / Kunststoff |
| <b>Czarny</b><br>Black / Schwarz | <b>WYL-CR-M1-CZ-01</b>          |                               |  |



## Dane techniczne:

Technical data / Technische daten



Design Light Sp. z o.o., ul. Wroclawska 1B, 48-340 Głuchotazy, Poland  
tel. +48 77 408 71 30, mail: bh@designlight.pl, web: www.designlight.pl  
tel. +48 77 408 71 35, mail: export@designlight.eu, web: www.designlight.eu